

## BOLLARD

Designer: SPARK - Tom Lauck



### SLAT OPTIONS

- Oiled hardwood

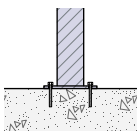
### FRAME OPTIONS

- Hot dip galvanised mild steel

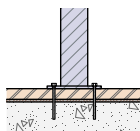
### FRAME FINISHES

- Hot dip galvanised
- Powdercoated

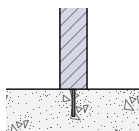
### INSTALLATION



Bolt Down



Bolt Through



Concealed Fix

### FIXINGS

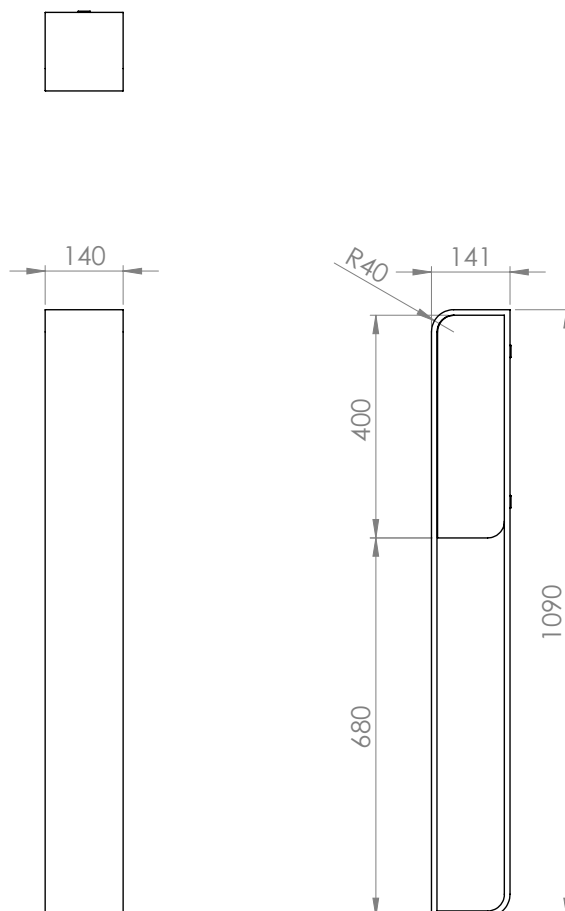
- 12mm fixings for 14mm diameter holes

Alternative materials and finishes available on request

# FOCUS BOLLARD

## SPECIFICATIONS

---



Measurements are in millimetres. Drawings are not to scale.

---

PRODUCT CODE	FRAME FINISH	SLAT OPTION & SIZE (mm)
FOC007-HDG-GV-T	Hot dip galvanised	120x120 Oiled hardwood timber
FOC007-HDG-PC-T	Powdercoated	120x120 Oiled hardwood timber